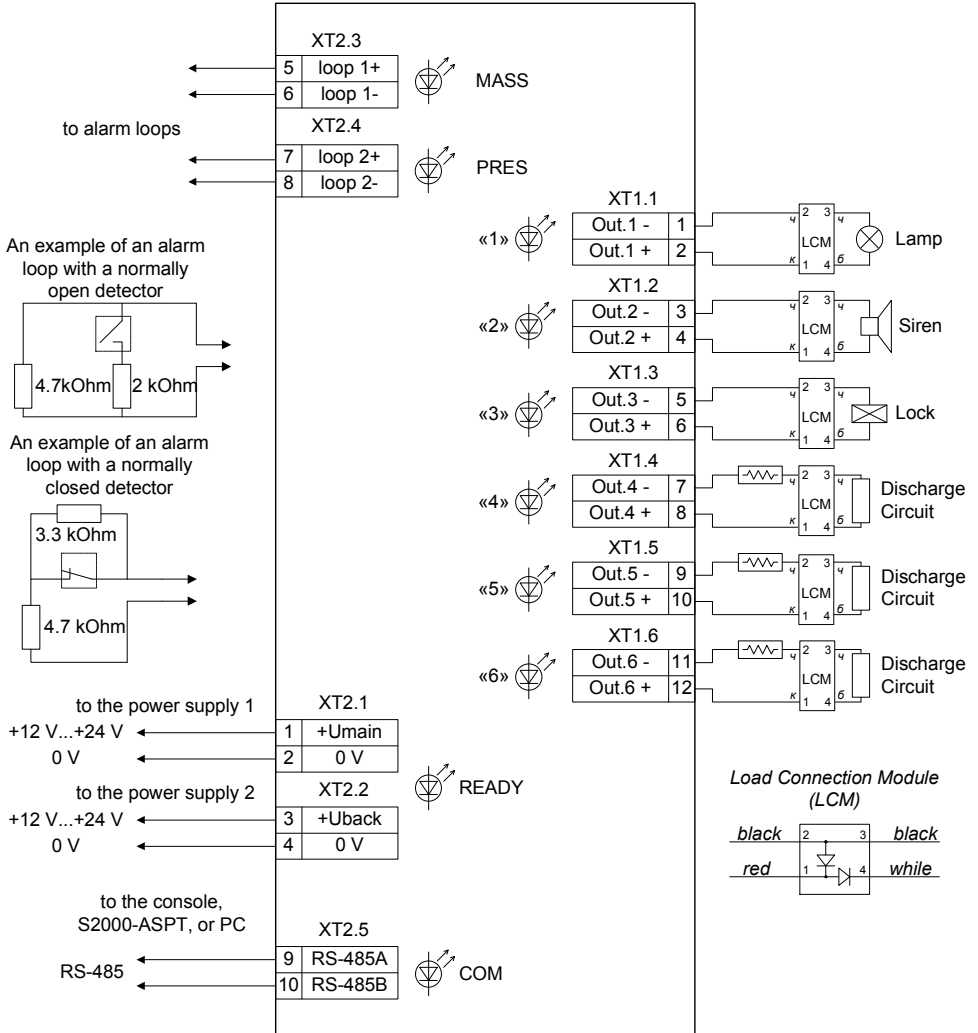


## S2000-KPB



### Notes:

1. The type of executive devices to be connected to the outputs is to be defined by user and can differ from the shown devices.
2. The load connection modules should be installed in proximity to the executive devices.
3. If an output is not in use, a 1kOhm - 0.5 W resistor can be used instead of the load connection module.
4. Normally open and normally closed detectors can be combined and brought into the same circuit if only a single detector can be in activated status.